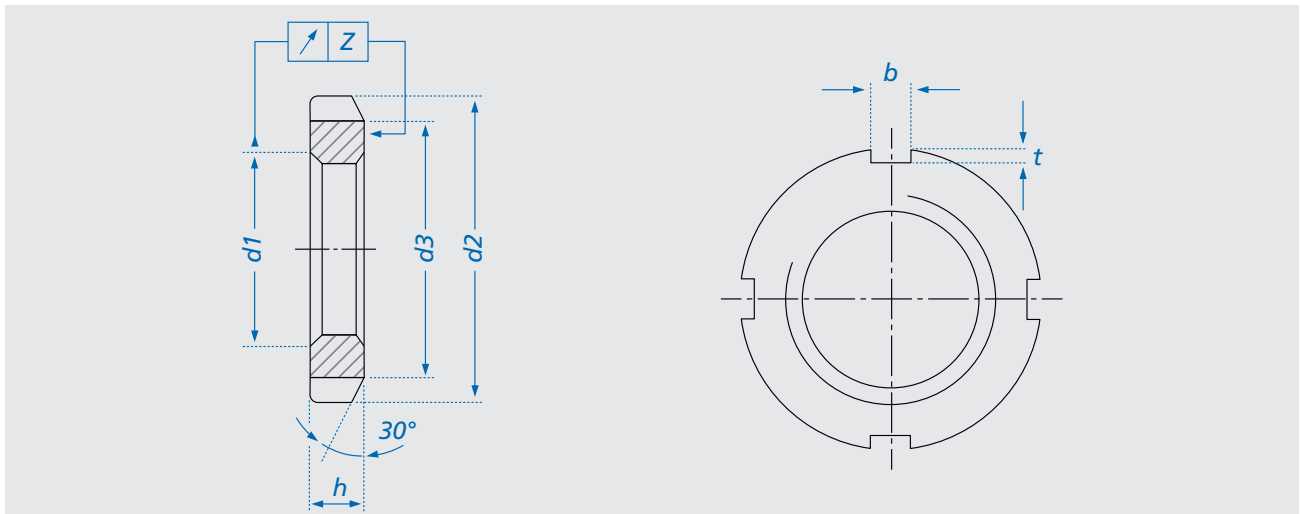
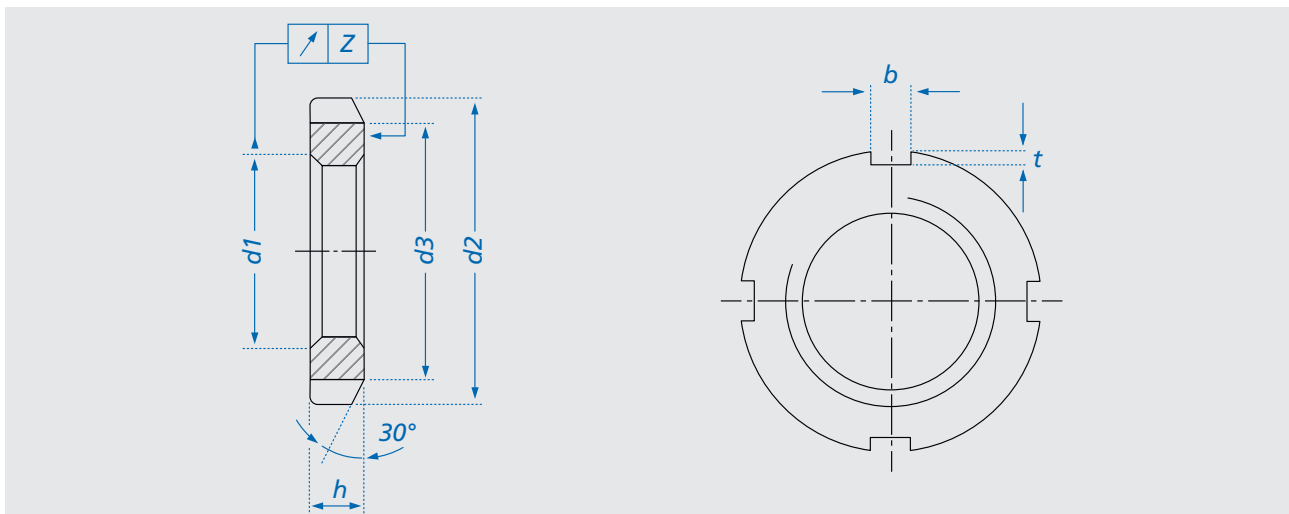


Nutmuttern DIN 981

Werkstoffe: Stahl, Edelstahl



| Artikelnummer | d1 | d2 | d3 | h | b | t | Gewicht kg |
|---------------|-------------|-----|------|----|----|-----|------------|
| KM0* | M 10 x 0,75 | 18 | 13,5 | 4 | 3 | 2 | 0,004 |
| KM1* | M 12 x 1 | 22 | 17 | 4 | 3 | 2 | 0,007 |
| KM2* | M 15 x 1 | 25 | 21 | 5 | 4 | 2 | 0,01 |
| KM3* | M 17 x 1 | 28 | 24 | 5 | 4 | 2 | 0,013 |
| KM4* | M 20 x 1 | 32 | 26 | 6 | 4 | 2 | 0,019 |
| KM5* | M 25 x 1,5 | 38 | 32 | 7 | 5 | 2 | 0,025 |
| KM6* | M 30 x 1,5 | 45 | 38 | 7 | 5 | 2 | 0,043 |
| KM7 | M 35 x 1,5 | 52 | 44 | 8 | 5 | 2 | 0,053 |
| KM8* | M 40 x 1,5 | 58 | 50 | 9 | 6 | 2,5 | 0,085 |
| KM9* | M 45 x 1,5 | 65 | 56 | 10 | 6 | 2,5 | 0,119 |
| KM10* | M 50 x 1,5 | 70 | 61 | 11 | 6 | 2,5 | 0,148 |
| KM11* | M 55 x 2 | 75 | 67 | 11 | 7 | 3 | 0,158 |
| KM12* | M 60 x 2 | 80 | 73 | 11 | 7 | 3 | 0,174 |
| KM13 | M 65 x 2 | 85 | 79 | 12 | 7 | 3 | 0,203 |
| KM14 | M 70 x 2 | 92 | 85 | 12 | 8 | 3,5 | 0,242 |
| KM15* | M 75 x 2 | 98 | 90 | 13 | 8 | 3,5 | 0,287 |
| KM16 | M 80 x 2 | 105 | 95 | 15 | 8 | 3,5 | 0,397 |
| KM17 | M 85 x 2 | 110 | 102 | 16 | 8 | 3,5 | 0,451 |
| KM18* | M 90 x 2 | 120 | 108 | 16 | 10 | 4 | 0,556 |
| KM19* | M 95 x 2 | 125 | 113 | 17 | 10 | 4 | 0,658 |
| KM20* | M 100 x 2 | 130 | 120 | 18 | 10 | 4 | 0,698 |
| KM21 | M 105 x 2 | 140 | 126 | 18 | 12 | 5 | 0,845 |
| KM22 | M 110 x 2 | 145 | 133 | 19 | 12 | 5 | 0,965 |
| KM23 | M 115 x 2 | 150 | 137 | 19 | 12 | 5 | 1,01 |
| KM24* | M 120 x 2 | 155 | 138 | 20 | 12 | 5 | 1,08 |
| KM25 | M 125 x 2 | 160 | 148 | 21 | 12 | 5 | 1,19 |



| Artikelnummer | d1 | d2 | d3 | h | b | t | Gewicht kg |
|---------------|-----------|-----|-----|----|----|---|------------|
| KM26 | M 130 x 2 | 165 | 149 | 21 | 12 | 5 | 1,25 |
| KM27 | M 135 x 2 | 175 | 160 | 22 | 14 | 6 | 1,55 |
| KM28 | M 140 x 2 | 180 | 160 | 22 | 14 | 6 | 1,56 |
| KM29 | M 145 x 2 | 190 | 171 | 24 | 14 | 6 | 1,8 |
| KM30 | M 150 x 2 | 195 | 171 | 25 | 14 | 6 | 2,03 |
| KM31 | M 155 x 3 | 200 | 182 | 25 | 16 | 7 | 2,3 |
| KM32* | M 160 x 3 | 210 | 182 | 25 | 16 | 7 | 2,59 |
| KM33 | M 165 x 3 | 210 | 193 | 26 | 16 | 7 | 2,7 |
| KM34* | M 170 x 3 | 220 | 193 | 26 | 16 | 7 | 2,8 |
| KM36* | M 180 x 3 | 230 | 203 | 27 | 18 | 8 | 3,07 |
| KM38* | M 190 x 3 | 240 | 214 | 28 | 18 | 8 | 3,39 |
| KM40* | M 200 x 3 | 250 | 226 | 29 | 18 | 8 | 3,69 |